



## CUSTOM DC-DC POWER SUPPLY 950W

### Outline Product Specification

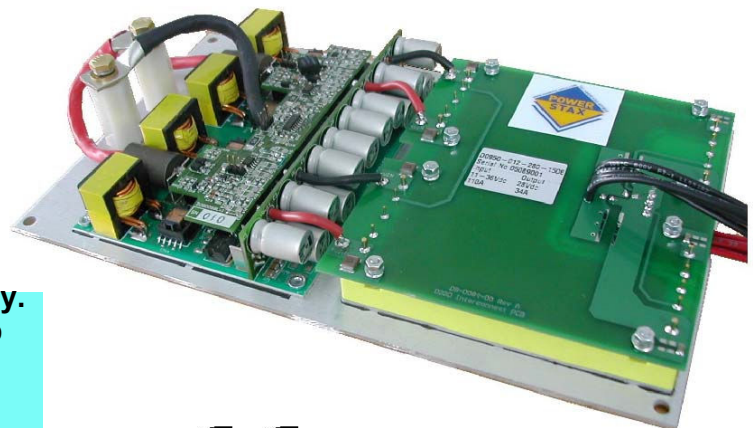
#### FEATURES

- Ⓢ **Rapid solution for unique DC-DC power applications.**
- Ⓢ **Versatile design meets wide range of input and output requirements.**
- Ⓢ **Step-up and Step-down dc-dc conversion**
- Ⓢ **Up to 950W of output power**
- Ⓢ **Wide Input Range 11 - 75Vdc**
- Ⓢ **12 - 48Vdc standard output voltages**
- Ⓢ **High Efficiency - System typ 86%**
- Ⓢ **Reduced system heat dissipation**
- Ⓢ **No forced air cooling required**
- Ⓢ **Comprehensive protection features**
- Ⓢ **Low profile 24.8mm**
- Ⓢ **Low NRE for custom units**
- Ⓢ **Reduced Time to Market**

The SD Electronics SD950 is a 950W DC-DC power Conversion module developed specifically for applications where standard off-the-shelf solutions do not exist. Helping to reduce their time-to-market, lessen capital investment and minimize the risk, Often associated with the outsourcing of their unique power supply requirements.

High system efficiency provides a lower level of heat dissipation which allows the complete open construction unit to be cold wall mounted with no forced air cooling required.

The SD Electronics SD950 is ideal for use in vehicle mounted applications, the telecoms, automotive and industrial markets.



**NB: This is an outline specification only.**  
The SD Electronics product is designed to meet very wide requirements. Please contact us full specification of your exact application



**Example Specification**

**Input characteristics**

Supply voltage 11-36Vdc (boost)  
 or 36-75V (buck)

Supply current up to 102A<sub>dc</sub> for low range  
 recommended breaker rating  
 120A<sub>dc</sub> up to 32A<sub>dc</sub> for high  
 range recommended breaker  
 rating 40A<sub>dc</sub>

**Output characteristics**

Output voltage 12, 15, 24, 28 or 48Vdc single  
 output

Setting tolerance +/-2%

Output current 75, 60, 39, 34 or 20A<sub>dc</sub>

Overcurrent protection electronic limiting

Output power 950W continuous

Efficiency Overall typically 90%

Output ripple less than 2% p-p

**Safety**

The equipment is CE marked for compliance with the LVD  
 (can't remember the numbers)

It complies with the requirements of EN60950.

**Earthing** Baseplates to be grounded

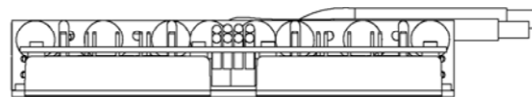
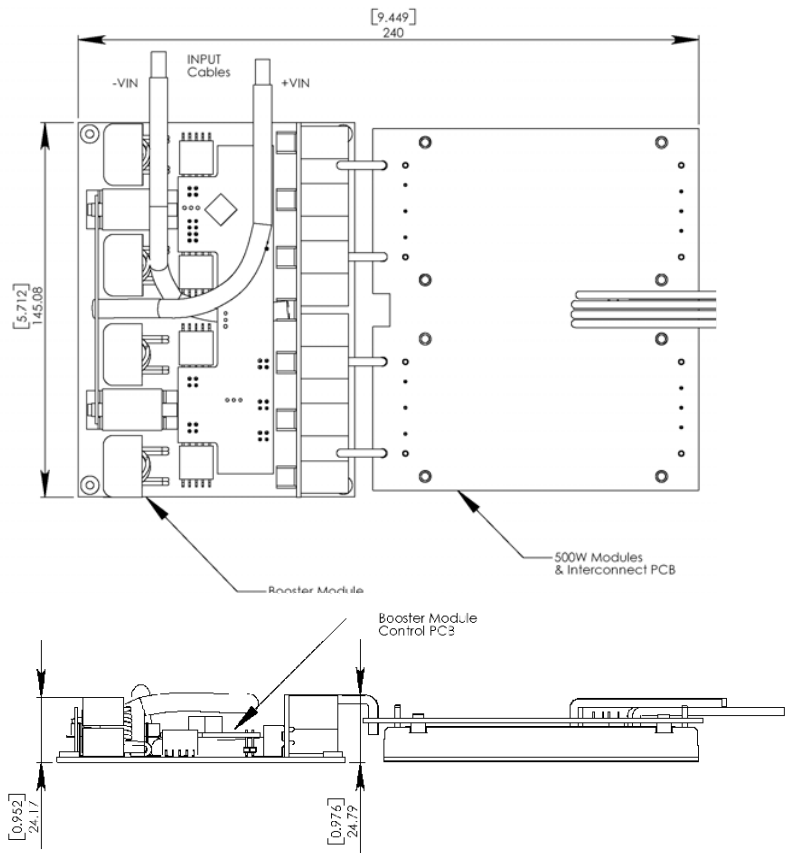
**Voltage proof**

Input to ground	2200Vdc
Input to output/ground	2200Vdc
Output to ground	500Vac

**Construction**

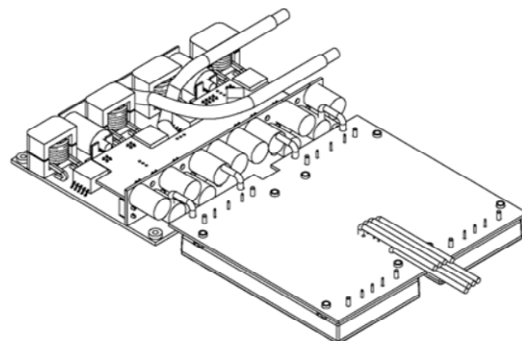
Conduction cooled via baseplate with operating tempera-  
 ture range of -25degC to +85degC.

**Mechanical Outline**



Above drawings shows example of typical specification  
 - other configurations upon request

Optional 3mm thick mounting plate (270mm x 160mm - as shown in  
 phot overleaf) can be supplied



*Exceeding absolute maximum ratings may cause permanent damage and may reduce reliability. Information and specifications contained in this data sheet are believed to be correct at the time of publication. However, SD Electronics accept no responsibility for consequences arising from printing errors or inaccuracies. Specifications are subject to change without notice.*